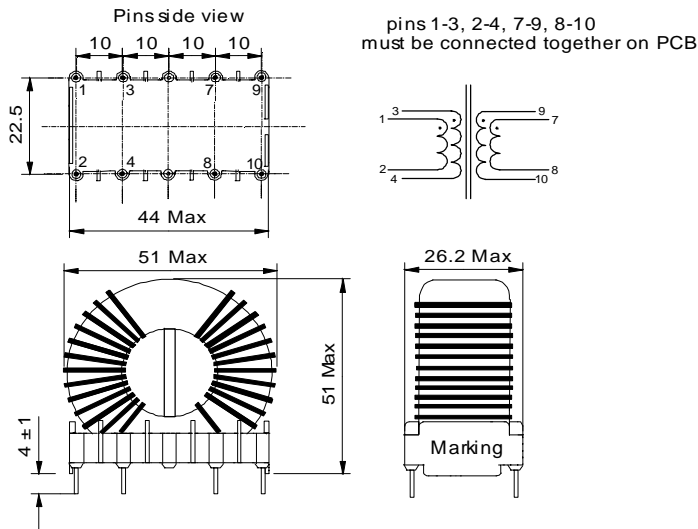
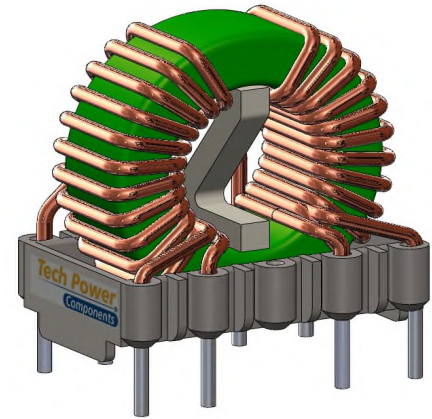


DESCRIPTION : Nanocrystalline toroidal common mode choke 2 X 4 mH - 50A

MECHANICAL DIMENSIONS (mm)



Ø Pin 1,70mm Cu tinned
Implantation in holes Ø 2,0



m ≈ 105 g

ELECTRICAL PROPERTIES

| MEASUREMENT CONDITIONS | CHARACTERISTICS | VALUE | UNIT | TOLERANCE |
|------------------------|-----------------|-------|------|-----------|
| 10kHz 10mV | Inductance | 4 | mH | ± 40 % |
| 100kHz 10mV | Inductance | 0,8 | mH | ± 40 % |
| 25°C | Resistance | 1,3 | mΩ | Typ. |
| < 70°C | Nominal Current | 50 | A | |
| 50Hz | Rated Voltage | 250 | V | |

Ambient temperature Ta = - 40° C to + 70° C

Max. operating temperature = 130° C

Data derating in case of deviant ambient temperatures or deviant nominal currents

OTHER PROPERTIES

| APPROVALS | TEST CONDITIONS | RoHS COMPLIANT | | |
|-------------------------------------|--|----------------|--------|----------|
| UL94 V-0 IEC60938-2 (VDE565-2-1) | Humidity : 33 % Temperature : 25°C Withstanding Voltage : 1500 Vac | | | |
| | | Creation | 1 | 12/07/11 |
| | | Modification | Number | Date |